



We're Plugable, It's nice to meet you!

We're an American brand. From our HQ in sometimes sunny Seattle, WA, we've taken a different approach to computer peripherals. For starters, the folks who design our products are the same folks who support our products.

From concept to production, we've brought millions of devices to customers around the world. Somewhere along the way, we made this device which brought us to you. And we think that's neat.



Questions? We're here to help!

plugable.com/ad-6in1
support@plugable.com

ご質問は nihongo@plugable.com へご連絡ください。
ja.plugable.com/ad-6in1



USB-C 6-In-1 Mounted Hub Quick Start Guide

Thank you for your purchase of the Plugable AD-6IN1 Mounted Hub!

Thank you for your purchase of the Plugable AD-6IN1 Mounted Hub For Apple iMac! This 6-in-1 USB-C hub adds 4 additional USB ports and both a microSD and full-sized SD card reader to your setup. Mounting into the Apple iMac stands oval power cutout provides convenient, front-facing access to these ports without sacrificing desk space!

In the Box

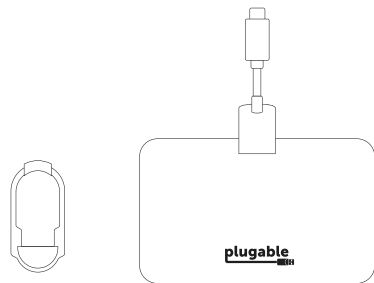
En la caja

Dans la boîte

Contenuto della confezione

In der Box

パッケージ内容



1. Insert the mounting accessory

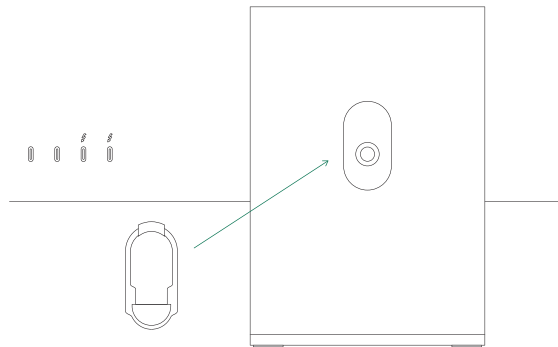
Inserta el accesorio de montaje

Insérer l'accessoire de fixation

Inserisci l'accessorio di montaggio

Zubehörteil zur Befestigung einsetzen

マウント用アクセサリを挿入します



2. Connect the hub to host

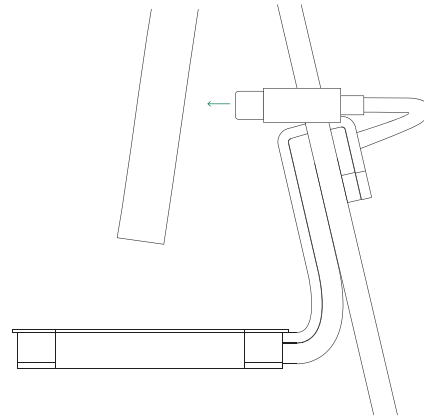
Conectar la base al servidor

Connecter le dock à l'hôte

Collega il dock all'host

Dock mit dem Host verbinden

ドッキングステーションをシステムに接続します



3. Connect peripherals

Conectar los periféricos

Connecter des périphériques

Collega le periferiche

Andere Geräte anschließen

周辺機器を接続します

